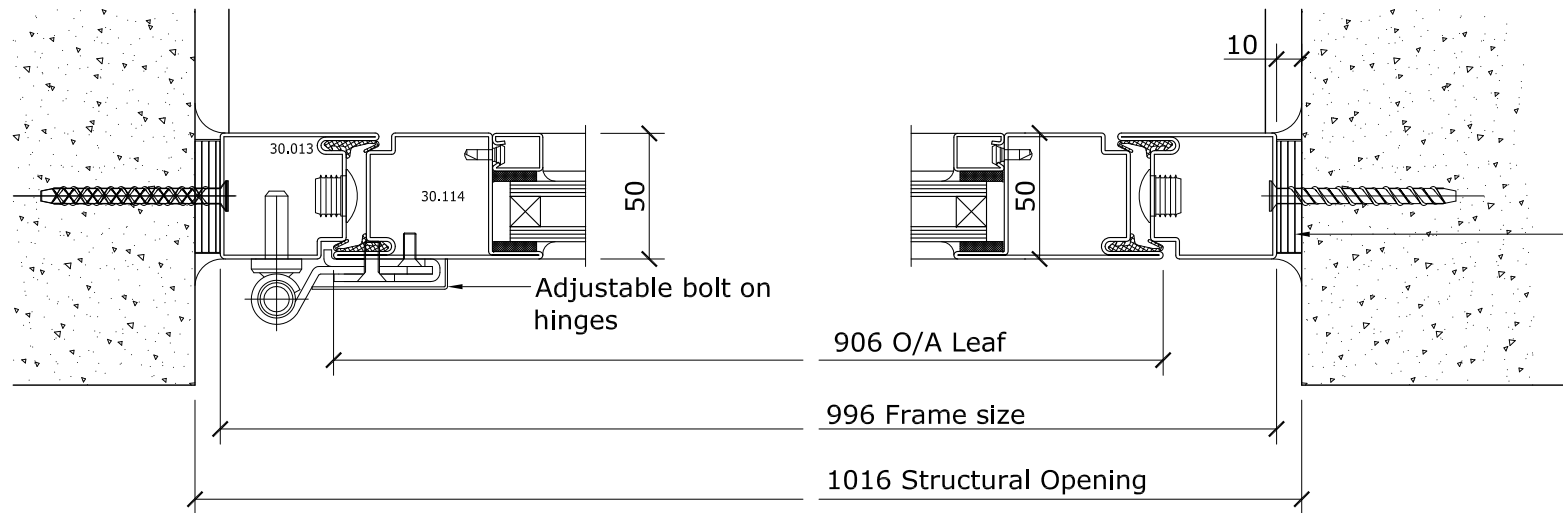
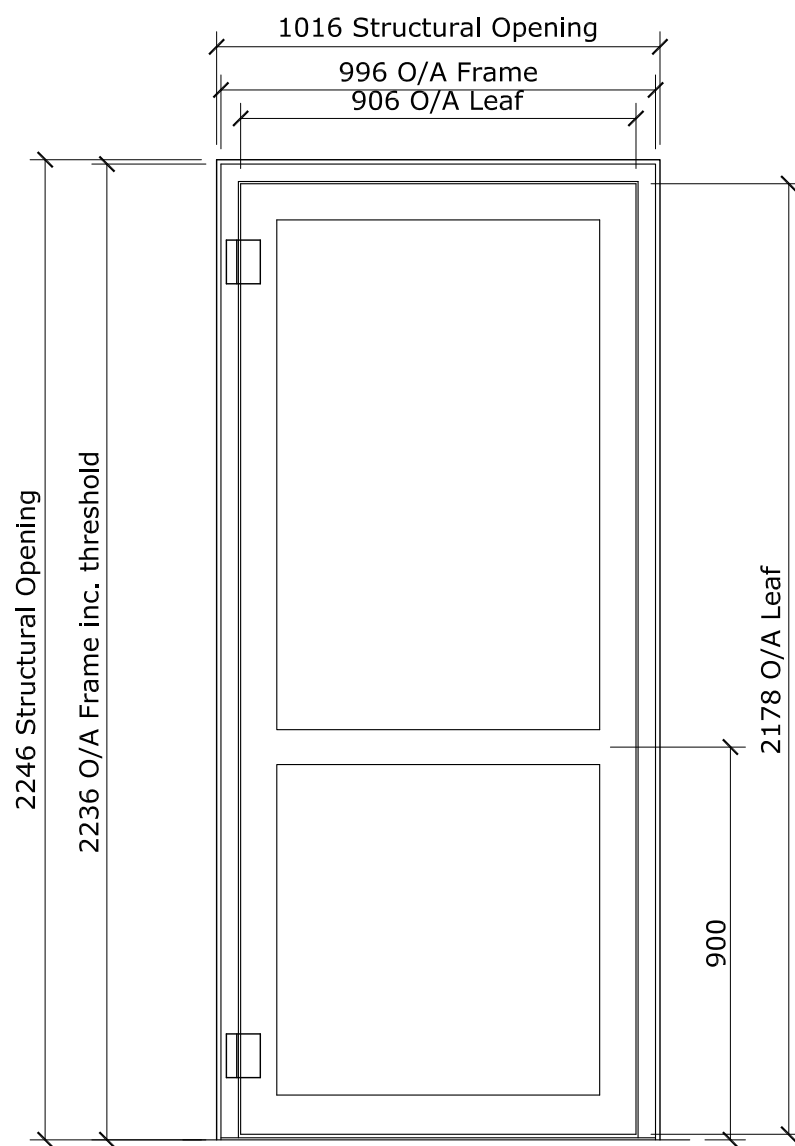
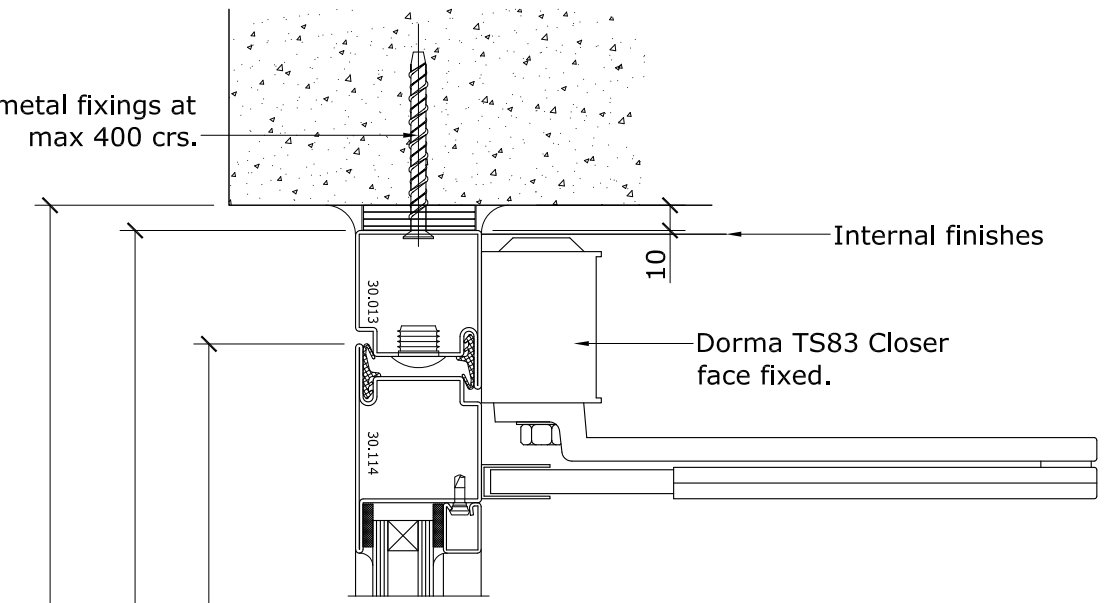


Allowable Tolerance +/-5mm on structural sizes



906 O/A Leaf  
 996 Frame size  
 1016 Structural Opening

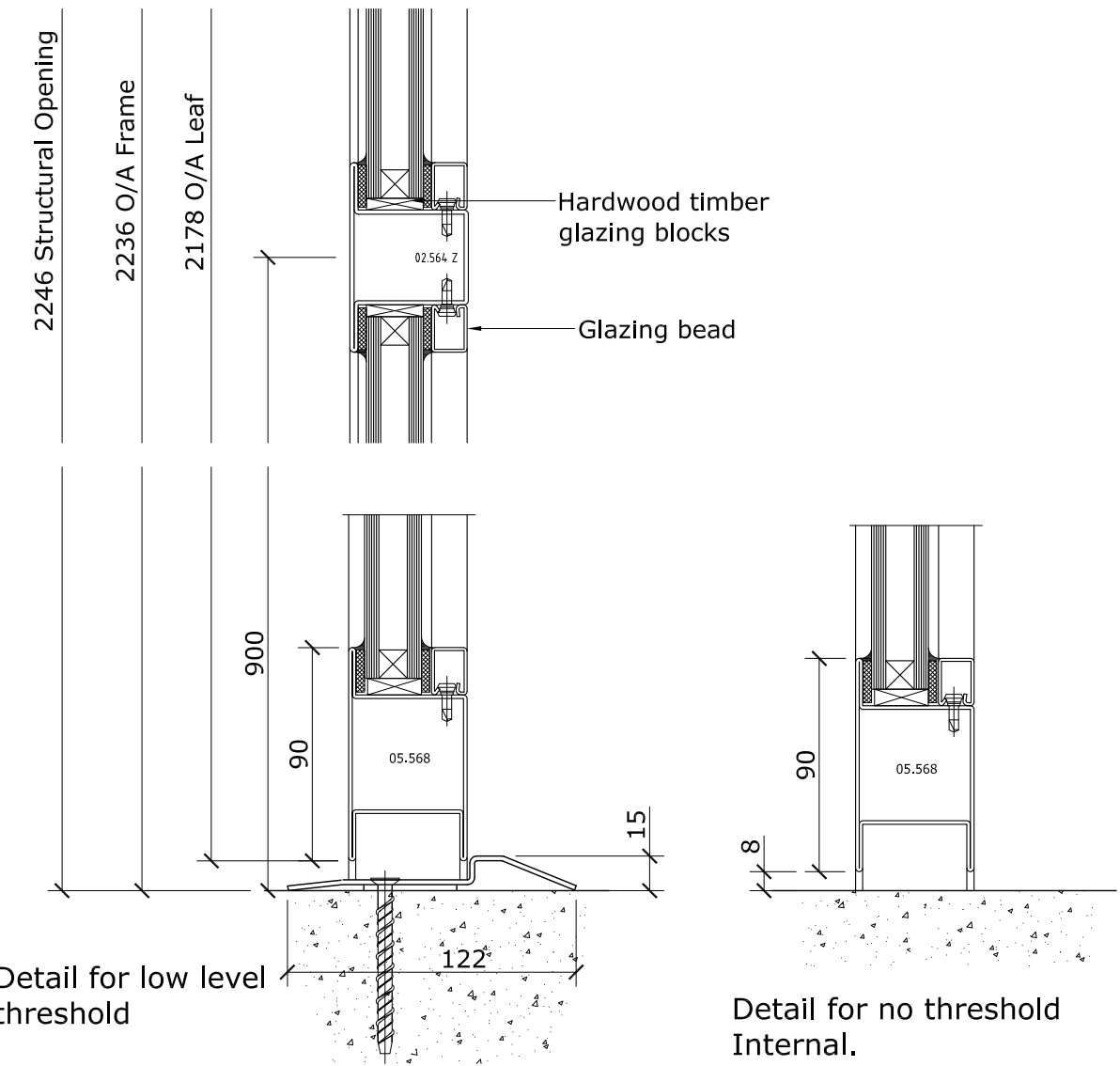
All metal fixings at max 400 crs.



**Notes**

- Glazing to be performed with fire rated tape and silicone capped.
- Door to be fixed at 400mm centres maximum, with all metal fixings.
- Door to be pointed with fire rated silicone. White or Grey.
- Where required, all packing shims to be from galv. stl.

All details are indicative and dimensions are given as representation only and are not job specific.



**architectural products limited**  
 specialised aluminium fabrications for the construction industry  
 Unit 9, Alexandra Way, Tewkesbury, Gloucestershire GL20 8NB  
 Tel: 01684 291555 Fax: 01684 291666  
 www.architecturalproducts.co.uk

Project:			
Client:			
Revisions	Date	By	

Specification:
Glass:
Finish:

Title: <b>Fire Rated Door</b> Standard details for direct fix		
Scale: nts	Date: 12.03.09	Drawing No.
Drawn: IJO	Checked:	