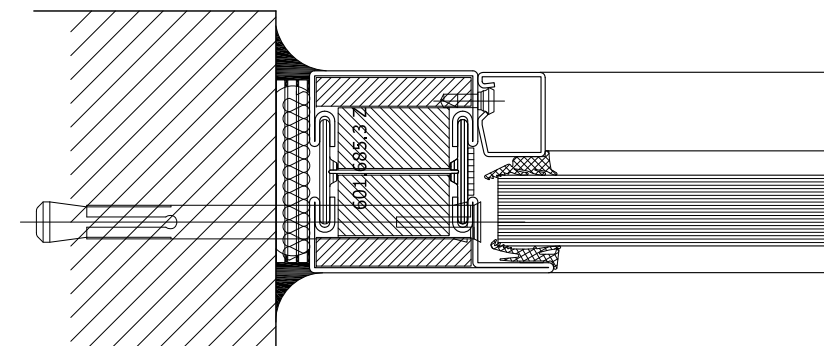
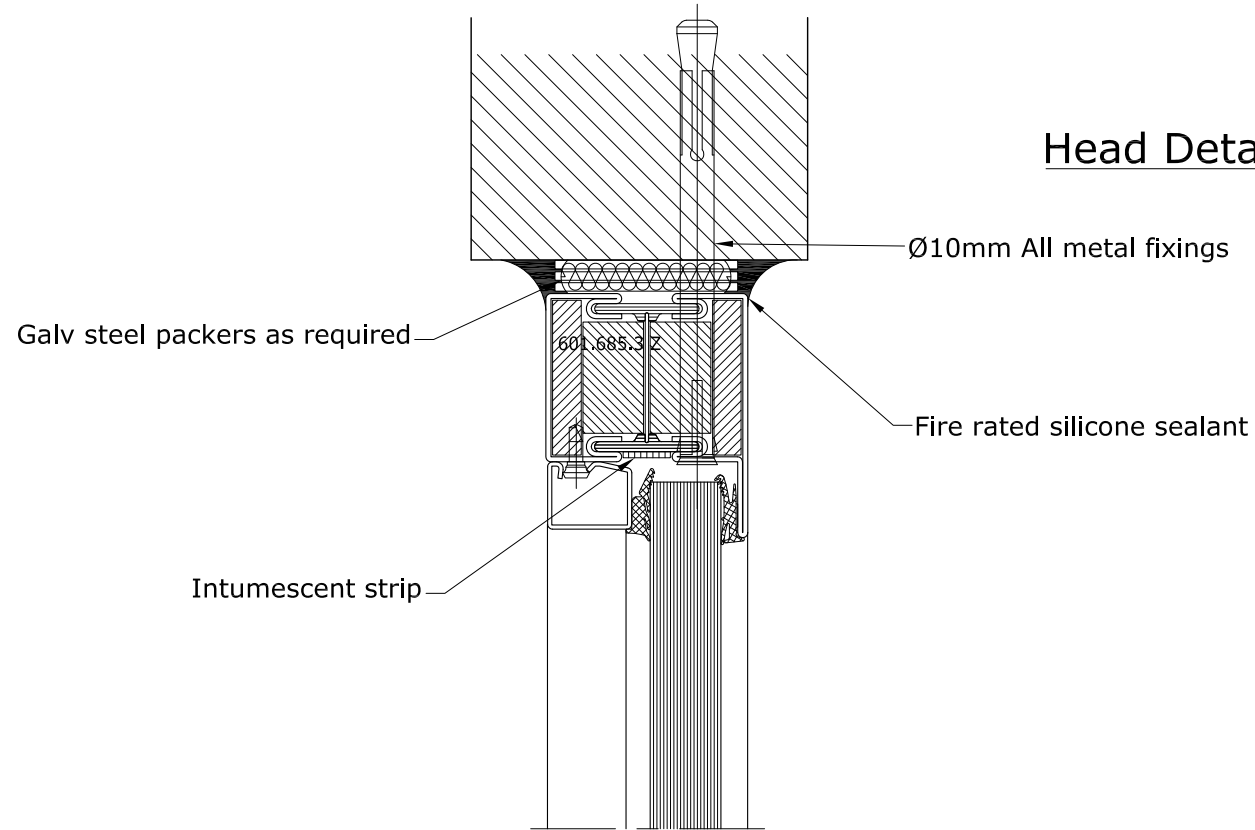
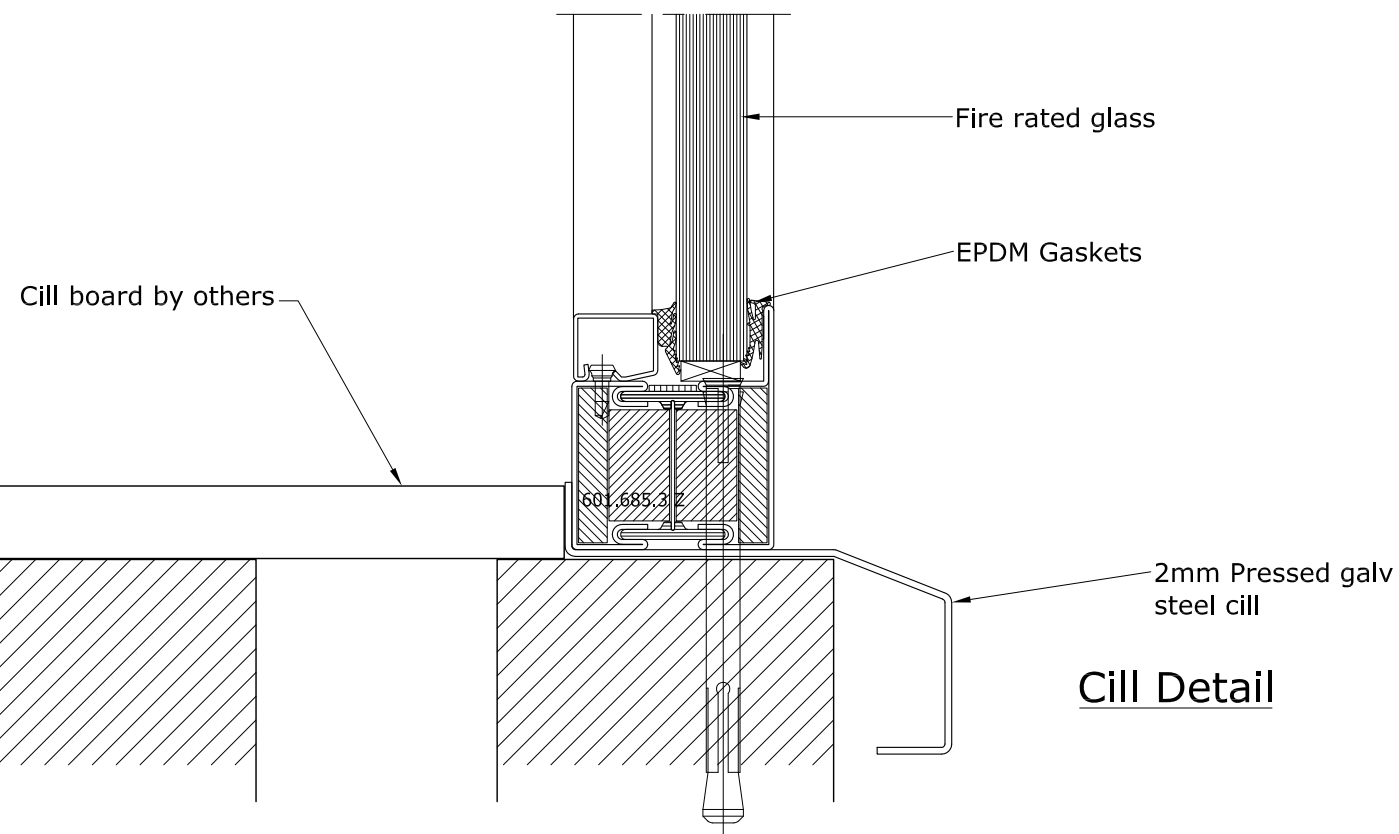


Allowable Tolerance +/-5mm on structural sizes

Head Detail



Jamb Detail



Cill Detail



specialised aluminium fabrications for the construction industry
 Unit 9, Alexandra Way, Tewkesbury, Gloucestershire GL20 8NB
 Tel: 01684 291555 Fax: 01684 291666
 www.architecturalproducts.co.uk

Project: XXXX
 Client: XXXX

Revisions	Date	By

Specification: xxx
 Glass: xxx
 Finish: xx

Title: Janisol 3 EI60
 Fixing details into brick or blockwork

Scale: xx	Date: xxx	Drawing No.
Drawn: IJO	Checked:	