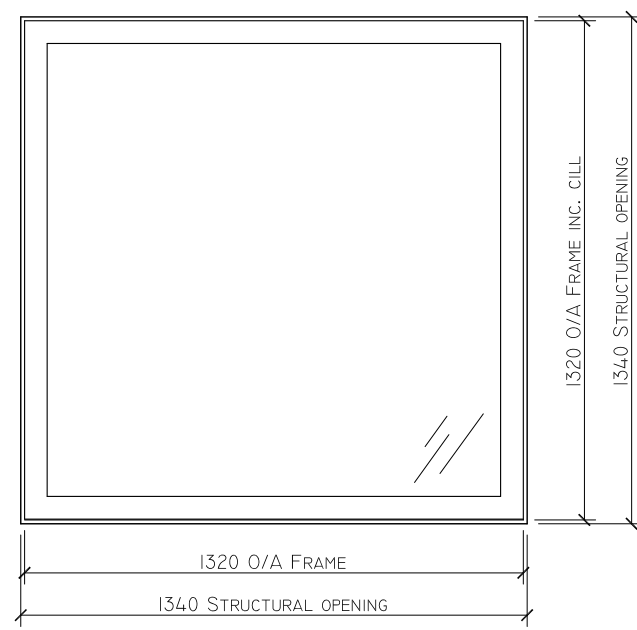
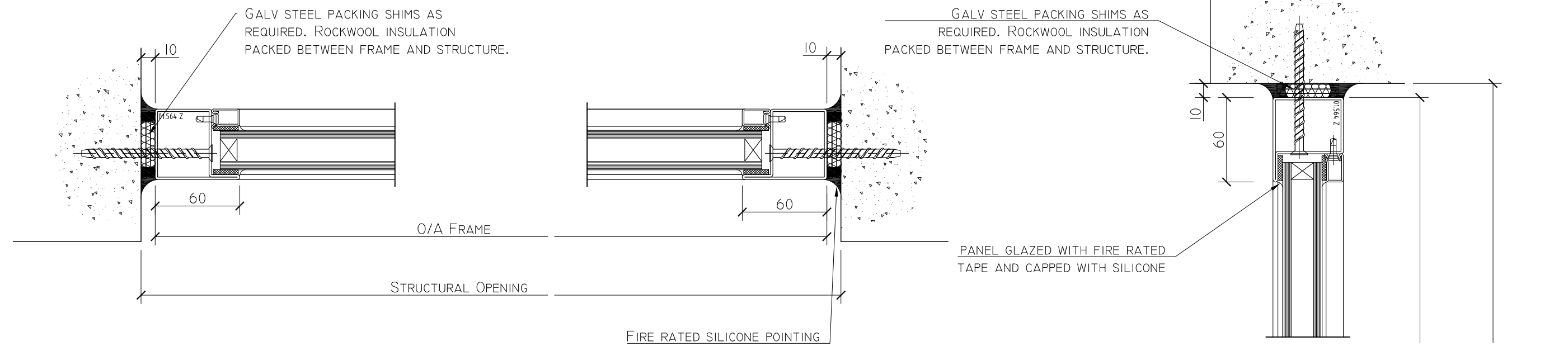
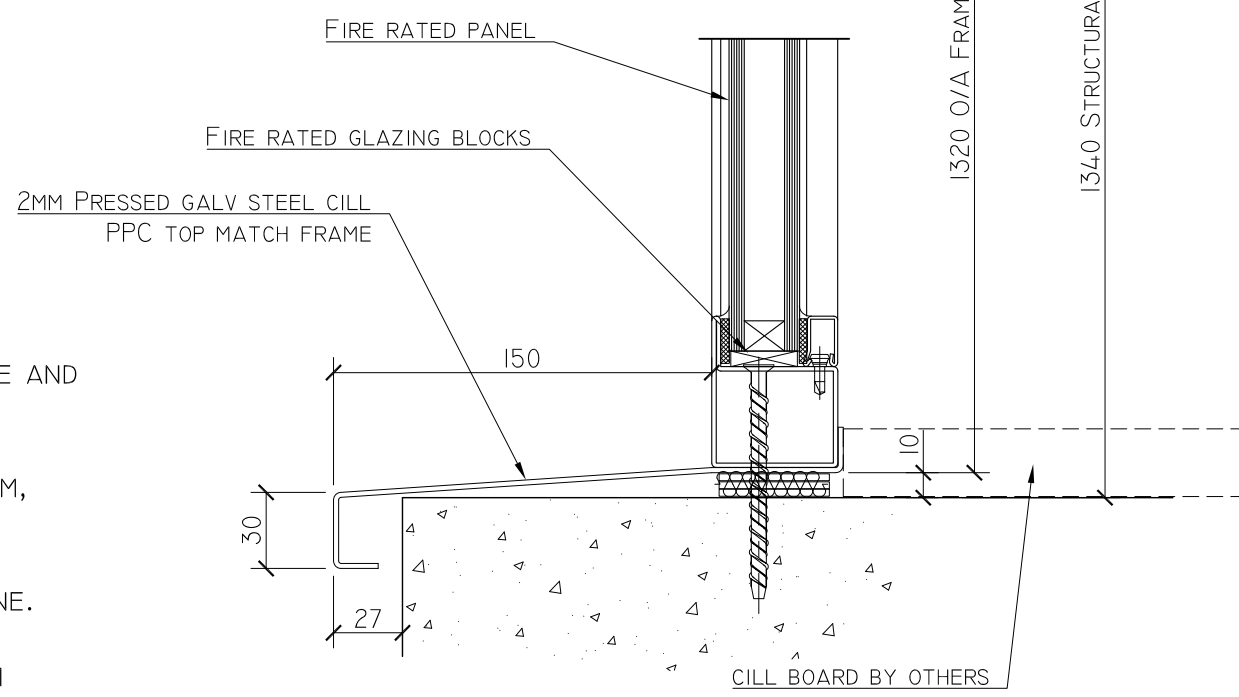


Allowable Tolerance +/-5mm on structural sizes



Notes

- GLAZING TO BE PERFORMED WITH FIRE RATED TAPE AND SILICONE CAPPED.
- FRAMES TO BE FIXED AT 400MM CENTRES MAXIMUM, WITH ALL METAL FIXINGS.
- WINDOWS TO BE POINTED WITH FIRE RATED SILICONE.
- WHERE REQUIRED, ALL PACKING SHIMS TO BE FROM GALV. STL.



I NO. REQUIRED THUS:

ARCHITECTURAL PRODUCTS LIMITED

SPECIALISED ALUMINIUM FABRICATIONS FOR THE CONSTRUCTION INDUSTRY
UNIT 9, ALEXANDRA WAY, TEWKESBURY, GLOUCESTERSHIRE GL20 8NB
TEL: 01684 291555 FAX: 01684 291666
WWW.ARCHITECTURALPRODUCTS.CO.UK

Project:			
Client:			
Revisions	Date	By	

Specification: FIRE RATED E30

Glass: 28MM DG UNIT COMPRISING
6MM PYROSWISS
16MM SPACER
6MM TOUGHENED

Finish:

Title: FIRE RATED SCREEN DETAILS		
Scale: xx	Date: 23.11.12	Drawing No.
Drawn: IJO	Checked:	